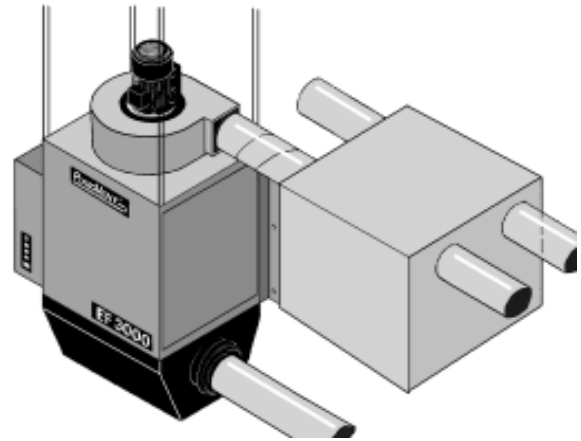
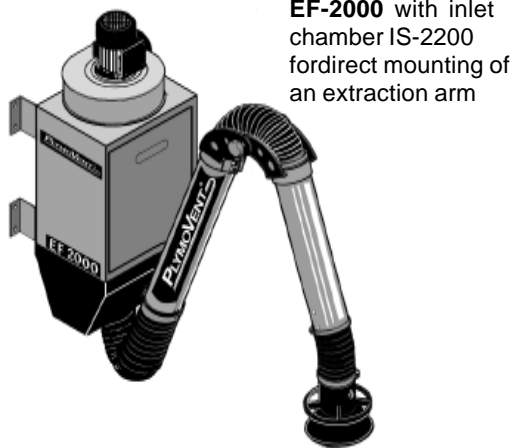
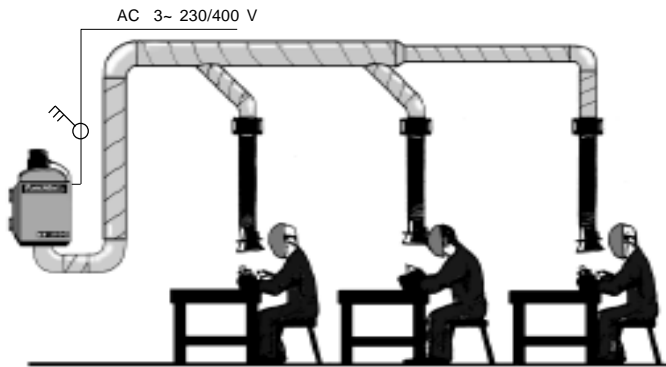


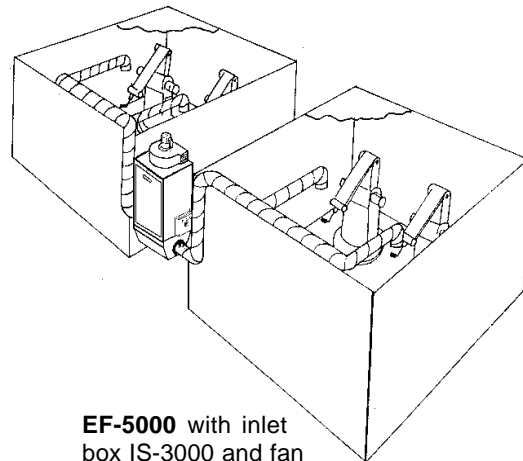
Esempi di montaggio



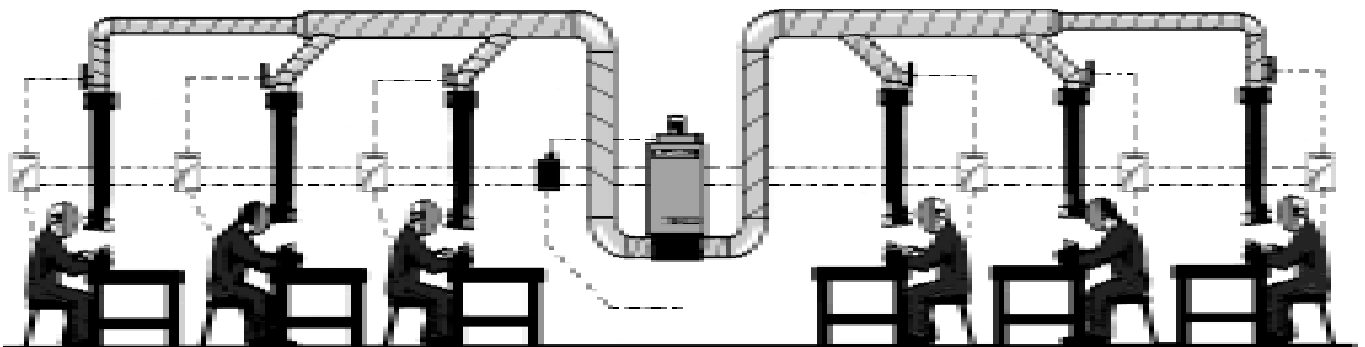
The most efficient method is to catch the smoke at its source. According to that the particles will be separated in the electrostatic filter and the cleaned air will be blown to a heat exchanger.



EF-3000 with inlet for duct connections



EF-5000 with inlet box IS-3000 and fan FUA-4700.



EF-5000 with inlet box IS-3000 and automatic damper ASE-12 at every extraction unit and with control unit M-1000 for the fan. Per maggiori informazioni contattare AIRUM tel 051/60 25 072